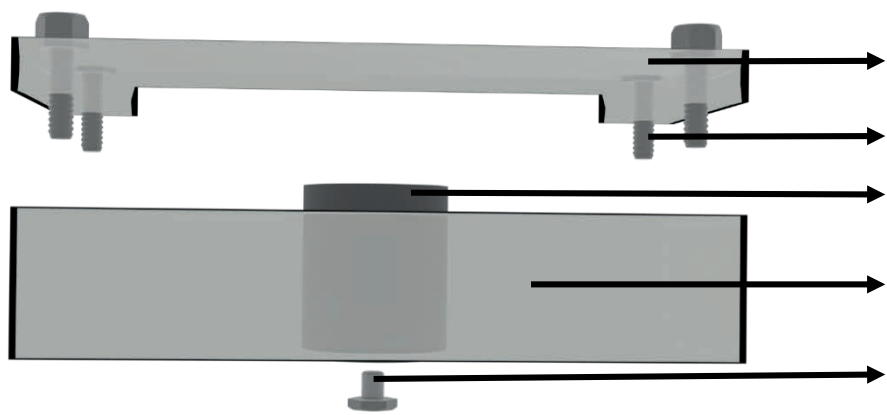
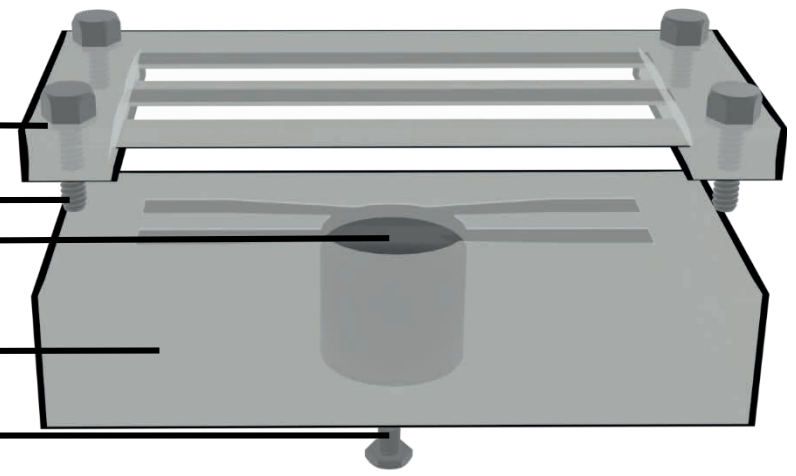


Cutting the pellet



Cutting the bar



- cover
- fixing screw
- cylinder
- sample holder
- sample fixating screw

